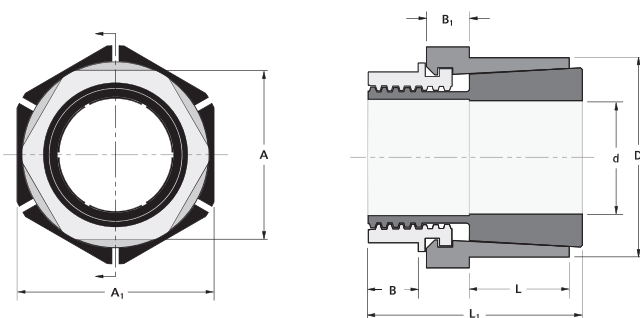


Power Transmission - Trantorque®

Trantorque®
GT
Inch



TOLERANCE (T_L)

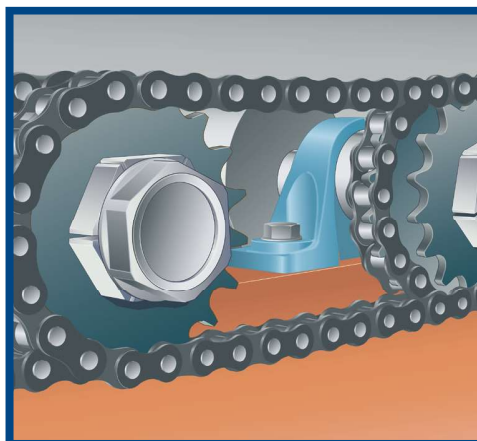
T_L for shaft and bore is $\pm .003$ "
for all sizes

Trantorque GT – Inch

Part Number				Wrench Size									Ma	
Steel	Electroless Nickel Plated Steel	Thin Dense Chrome Coated Steel	Stainless Steel	d (inch)	D (inch)	L (inch)	L1 (inch)	A (inch)	A1 (inch)	B (inch)	B1 (inch)	Install Torque (ft lb)	Shipping Weight (lb)	
6202120UP	6202120EN	6202120DC	6990120	5/8	1 1/2	3/4	1 1/2	1 1/4	1 1/2	5/16	5/16	100	0.5	
6202140UP	6202140EN	6202140DC	6990140	11/16	1 1/2	3/4	1 1/2	1 1/4	1 1/2	5/16	5/16	100	0.5	
6202160UP	6202160EN	6202160DC	6990160	3/4	1 1/2	3/4	1 1/2	1 1/4	1 1/2	5/16	5/16	100	0.5	
6202190UP	6202190EN	6202190DC	6990190	13/16	1 3/4	7/8	1 7/8	1 1/2	1 3/4	7/16	3/8	125	0.7	
6202200UP	6202200EN	6202200DC	6990200	7/8	1 3/4	7/8	1 7/8	1 1/2	1 3/4	7/16	3/8	125	0.7	
6202220UP	6202220EN	6202220DC	6990220	15/16	1 3/4	7/8	1 7/8	1 1/2	1 3/4	7/16	3/8	125	0.7	
6202240UP	6202240EN	6202240DC	6990240	1	1 3/4	7/8	1 7/8	1 1/2	1 3/4	7/16	3/8	125	0.7	
6202270UP	6202270EN	6202270DC	6990270	1 1/16	2	1	2 1/4	1 3/4	2	1/2	9/16	167	1.1	
6202280UP	6202280EN	6202280DC	6990280	1 1/8	2	1	2 1/4	1 3/4	2	1/2	9/16	167	1.1	
6202300UP	6202300EN	6202300DC	6990300	1 3/16	2	1	2 1/4	1 3/4	2	1/2	9/16	167	1.1	
6202320UP	6202320EN	6202320DC	6990320	1 1/4	2	1	2 1/4	1 3/4	2	1/2	9/16	167	1.1	
6202350UP	6202350EN	6202350DC	6990350	1 5/16	2 3/8	1 1/2	2 3/4	2	2 3/8	9/16	1/2	192	1.1	
6202360UP	6202360EN	6202360DC	6990360	1 3/8	2 3/8	1 1/2	2 3/4	2	2 3/8	9/16	1/2	192	1.9	
6202380UP	6202380EN	6202380DC	6990380	1 7/16	2 3/8	1 1/2	2 3/4	2	2 3/8	9/16	1/2	192	1.8	
6202400UP	6202400EN	6202400DC	6990400	1 1/2	2 3/8	1 1/2	2 3/4	2	2 3/8	9/16	1/2	192	1.8	
6202430UP	6202430EN	6202430DC	6990430	1 9/16	2 5/8	1 11/16	3 1/8	2 1/4	2 5/8	9/16	11/16	234	2.5	
6202440UP	6202440EN	6202440DC	6990440	1 5/8	2 5/8	1 11/16	3 1/8	2 1/4	2 5/8	9/16	11/16	234	2.4	
6202460UP	6202460EN	6202460DC	6990460	1 11/16	2 5/8	1 11/16	3 1/8	2 1/4	2 5/8	9/16	11/16	234	2.4	
6202480UP	6202480EN	6202480DC	6990480	1 3/4	2 5/8	1 11/16	3 1/8	2 1/4	2 5/8	9/16	11/16	234	2.3	
6202510UP	6202510EN	6202510DC	6990510	1 13/16	2 7/8	2	3 9/16	2 1/2	2 7/8	5/8	3/4	409	3.5	
6202520UP	6202520EN	6202520DC	6990520	1 7/8	2 7/8	2	3 9/16	2 1/2	2 7/8	5/8	3/4	409	3.4	
6202540UP	6202540EN	6202540DC	6990540	1 15/16	2 7/8	2	3 9/16	2 1/2	2 7/8	5/8	3/4	409	3.3	
6202560UP	6202560EN	6202560DC	6990560	2	2 7/8	2	3 9/16	2 1/2	2 7/8	5/8	3/4	409	3.2	
6202562UP	6202562EN	6202562DC	6990562	2 1/16	3 1/8	2 1/8	3 3/4	2 3/4	3 1/8	5/8	13/16	442	3.8	
6202564UP	6202564EN	6202564DC	6990564	2 1/8	3 1/8	2 1/8	3 3/4	2 3/4	3 1/8	5/8	13/16	442	4	
6202566UP	6202566EN	6202566DC	6990566	2 3/16	3 1/8	2 1/8	3 3/4	2 3/4	3 1/8	5/8	13/16	442	3.8	
6202568UP	6202568EN	6202568DC	6990568	2 1/4	3 1/8	2 1/8	3 3/4	2 3/4	3 1/8	5/8	13/16	442	3.7	
6202570UP	6202570EN	6202570DC	6990570	2 5/16	3 3/8	2 1/4	3 7/8	3	3 3/8	11/16	3/4	467	4.4	
6202572UP	6202572EN	6202572DC	6990572	2 3/8	3 3/8	2 1/4	3 7/8	3	3 3/8	11/16	3/4	467	4.5	
6202574UP	6202574EN	6202574DC	6990574	2 7/16	3 3/8	2 1/4	3 7/8	3	3 3/8	11/16	3/4	467	4.4	
6202576UP	6202576EN	6202576DC	6990576	2 1/2	3 3/8	2 1/4	3 7/8	3	3 3/8	11/16	3/4	467	4.2	
6202580UP	6202580EN	6202580DC	6990580	2 9/16	3 5/8	2 3/8	4 1/16	3 1/4	3 5/8	11/16	13/16	500	5	
6202582UP	6202582EN	6202582DC	6990582	2 5/8	3 5/8	2 3/8	4 1/16	3 1/4	3 5/8	11/16	13/16	500	5.1	
6202584UP	6202584EN	6202584DC	6990584	2 11/16	3 5/8	2 3/8	4 1/16	3 1/4	3 5/8	11/16	13/16	500	5	
6202586UP	6202586EN	6202586DC	6990586	2 3/4	3 5/8	2 3/8	4 1/16	3 1/4	3 5/8	11/16	13/16	500	5	
6202590UP	6202590EN	6202590DC	6990590	2 13/16	3 7/8	2 1/2	4 1/4	3 1/2	3 7/8	3/4	13/16	550	6	
6202592UP	6202592EN	6202592DC	6990592	2 7/8	3 7/8	2 1/2	4 1/4	3 1/2	3 7/8	3/4	13/16	550	6	
6202594UP	6202594EN	6202594DC	6990594	2 15/16	3 7/8	2 1/2	4 1/4	3 1/2	3 7/8	3/4	13/16	550	6	
6202596UP	6202596EN	6202596DC	6990596	3	3 7/8	2 1/2	4 1/4	3 1/2	3 7/8	3/4	13/16	550	5	



Trantorque®
GT
Inch



Performance Data Table

d (inch)	M _t	Th	P _h
	Maximum Transmitted		Hub Pressure (psi)
	Torque (ft lb)	Thrust (lbs)	
5/8	164	6282	14316
11/16	180	6282	14316
3/4	196	6282	14316
13/16	222	6554	10015
7/8	239	6554	10015
15/16	256	6554	10015
1	273	6554	10015
1 1/16	333	7524	8917
1 1/8	353	7524	8917
1 3/16	372	7524	8917
1 1/4	392	7524	8917
1 5/16	412	7529	5194
1 3/8	431	7529	5194
1 7/16	452	7529	5194
1 1/2	471	7529	5194
1 9/16	535	8219	4599
1 5/8	557	8219	4599
1 11/16	578	8219	4599
1 3/4	599	8219	4599
1 13/16	979	12963	5639
1 7/8	1013	12963	5639
1 15/16	1047	12963	5639
2	1080	12963	5639
2 1/16	1087	12650	4781
2 1/8	1120	12650	4781
2 3/16	1153	12650	4781
2 1/4	1186	12650	4781
2 5/16	1181	12260	4064
2 3/8	1213	12260	4064
2 7/16	1245	12260	4064
2 1/2	1277	12260	4064
2 9/16	1295	12127	3554
2 5/8	1326	12127	3554
2 11/16	1358	12127	3554
2 3/4	1390	12127	3554
2 13/16	1452	12394	3233
2 7/8	1485	12394	3233
2 15/16	1517	12394	3233
3	1549	12394	3233

MULTIPLIERS

Steel	1.0
Electroless Nickel Plated Steel	0.6
Thin Dense Chrome Coated Steel	1.1
Stainless Steel	0.3

The data in the Performance Data Table is for a steel unit. To obtain data for other materials, use the multiplier provided.

For example, you require a 2" (d) Electroless Nickel Plated Trantorque GT.

Find 2" (d) in Performance Data Table and use the multiplier of 0.6 for Electroless Nickel Plated Steel.

$$M_t : 1080 \times 0.6 = 648$$

$$T_h : 12963 \times 0.6 = 7778$$

$$*P_h : 5639 \times 0.6 = 3383$$

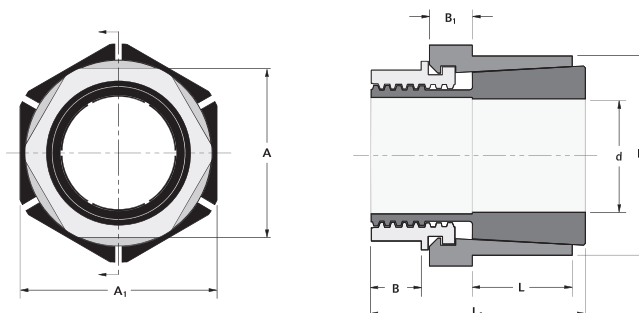
*** IMPORTANT:**

After hub pressure (P_h) is determined, record D, L and P_h and refer to page 9 and 10 to calculate the minimum hub diameter.

Please note not all catalog items shown are stock. Some products are make-to-order (MTO) based on annual demand. Please verify with your customer service representative for current availability of the item desired.

Power Transmission - Trantorque®

Trantorque®
GT
Metric



TOLERANCE (T_L)

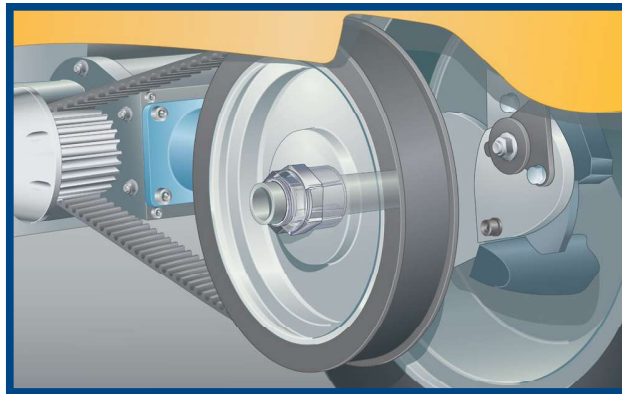
T_L for shaft and bore is ± .08mm
for all sizes

Trantorque GT – Metric

Steel	Part Number			d (mm)	D (mm)	L (mm)	L ₁ (mm)	Wrench Size		B (mm)	B ₁ (mm)	M _a Install Torque (Nm)	Shipping Weight (kg)
	Electroless Nickel Plated Steel	Thin Dense Chrome Coated Steel	Stainless Steel					A (mm)	A ₁ (inch)				
6202800UP	6202800EN	6202800DC	6990800	15	38.0	19.1	38.1	32	1 1/2	8.0	8.9	136	0.2
6202803UP	6202803EN	6202803DC	6990803	16	38.0	19.1	38.1	32	1 1/2	8.0	8.9	136	0.2
6202804UP	6202804EN	6202804DC	6990804	17	38.0	19.1	38.1	32	1 1/2	8.0	8.9	136	0.2
6202805UP	6202805EN	6202805DC	6990805	18	38.0	19.1	38.1	32	1 1/2	8.0	8.9	136	0.2
6202808UP	6202808EN	6202808DC	6990808	19	38.0	19.1	38.1	32	1 1/2	8.0	8.9	136	0.2
6202811UP	6202811EN	6202811DC	6990811	20	45.0	22.2	47.6	38	1 3/4	11.1	9.5	170	0.4
6202815UP	6202815EN	6202815DC	6990815	22	45.0	22.2	47.6	38	1 3/4	11.1	9.5	170	0.4
6202820UP	6202820EN	6202820DC	6990820	24	45.0	22.2	47.6	38	1 3/4	11.1	9.5	170	0.3
6202825UP	6202825EN	6202825DC	6990825	25	45.0	22.2	47.6	38	1 3/4	11.1	9.5	170	0.3
6202830UP	6202830EN	6202830DC	6990830	28	51.0	25.4	57.2	46	2	12.7	14.3	225	0.5
6202835UP	6202835EN	6202835DC	6990835	30	51.0	25.4	57.2	46	2	12.7	14.3	225	0.5
6202840UP	6202840EN	6202840DC	6990840	32	51.0	25.4	57.2	46	2	12.7	14.3	225	0.5
6202845UP	6202845EN	6202845DC	6990845	34	60.5	38.1	69.9	50	2 3/8	14.3	12.7	260	0.9
6202850UP	6202850EN	6202850DC	6990850	35	60.5	38.1	69.9	50	2 3/8	14.3	12.7	260	0.9
6202855UP	6202855EN	6202855DC	6990855	36	60.5	38.1	69.9	50	2 3/8	14.3	12.7	260	0.9
6202860UP	6202860EN	6202860DC	6990860	38	60.5	38.1	69.9	50	2 3/8	14.3	12.7	260	0.8
6202865UP	6202865EN	6202865DC	6990865	40	67.0	42.9	79.4	60	2 5/8	14.3	17.4	316	1.2
6202870UP	6202870EN	6202870DC	6990870	42	67.0	42.9	79.4	60	2 5/8	14.3	17.4	316	1.1
6202876UP	6202876EN	6202876DC	6990876	45	73.0	50.8	90.5	65	2 7/8	15.9	19.1	554	1.6
6202880UP	6202880EN	6202880DC	6990880	48	73.0	50.8	90.5	65	2 7/8	15.9	19.1	554	1.6
6202885UP	6202885EN	6202885DC	6990885	50	73.0	50.8	90.5	65	2 7/8	15.9	19.1	554	1.5
6202900UP	6202900EN	6202900DC	6990900	55	80.0	54.0	95.3	70	3 1/8	15.9	20.7	600	1.8
6202910UP	6202910EN	6202910DC	6990910	60	86.0	57.2	98.4	75	3 3/8	17.5	19.1	635	2
6202920UP	6202920EN	6202920DC	6990920	65	92.0	60.3	103.2	82	3 5/8	17.5	20.7	680	2
6202930UP	6202930EN	6202930DC	6990930	70	92.0	60.3	103.2	82	3 5/8	17.5	20.7	680	2
6202940UP	6202940EN	6202940DC	6990940	75	100.0	63.5	108.0	90	3 7/8	19.1	20.7	750	3

Please note not all catalog items shown are stock. Some products are make-to-order (MTO) based on annual demand. Please verify with your customer service representative for current availability of the item desired.

Trantorque®
GT
 Metric



Performance Data Table

d (mm)	M _t	T _h	P _h *
	Maximum Transmitted		Hub Pressure (N/mm ²)
	Torque (Nm)	Thrust (kN)	
15	210	28	99
16	224	28	99
17	238	28	99
18	252	28	99
19	266	28	99
20	292	29	68
22	322	29	68
24	351	29	68
25	366	29	68
28	466	33	61
30	499	33	61
32	532	33	61
34	569	33	36
35	585	33	36
36	602	33	36
38	636	33	36
40	728	36	31
42	765	36	31
45	1296	58	39
48	1383	58	39
50	1440	58	39
55	1549	56	33
60	1641	55	28
65	1759	54	25
70	1894	54	25
75	2079	55	22

MULTIPLIERS

Steel	1.0
Electroless Nickel Plated Steel	0.6
Thin Dense Chrome Coated Steel	1.1
Stainless Steel	0.3

The data in the Performance Data Table is for a steel unit. To obtain data for other materials, use the multiplier provided.

For example, you require a 30mm (d) Electroless Nickel Plated Trantorque GT.

Find 30mm (d) in Performance Data Table and use the multiplier of 0.6 for Electroless Nickel Plated Steel.

$$M_t : 499 \times 0.6 = 266$$

$$T_h : 33 \times 0.6 = 20$$

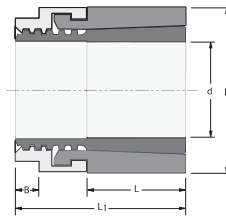
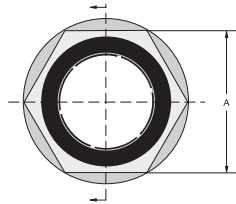
$$*P_h : 61 \times 0.6 = 37$$

* IMPORTANT:

After hub pressure (P_h) is determined, record D, L and P_h and refer to page 9 and 10 to calculate the minimum hub diameter.

Power Transmission - Trantorque®

Trantorque® Mini Inch and Metric



TOLERANCE (T_L)

T_L for shaft and bore is ± .0015"
(.04mm) for all sizes

Trantorque Mini – Inch

Part Number				d (inch)	D (inch)	L (inch)	L ₁ (inch)	Wrench Size		M _a † Install Torque (in lb)	Shipping Weight (lb)
Steel	Electroless Nickel Plated Steel	Thin Dense Chrome Coated Steel	Stainless Steel					A (inch)	B (inch)		
6410013	6202102EN	6410013DC	6990102	1/8	5/8	3/8	3/4	1/2	1/8	125	0.1
6410019	6202103EN	6410019DC	6990103	3/16	5/8	3/8	3/4	1/2	1/8	125	0.1
6410025	6202105EN	6410025DC	6990105	1/4	5/8	3/8	3/4	1/2	1/8	125	0.1
6410031	6202107EN	6410031DC	6990107	5/16	3/4	7/16	7/8	5/8	1/8	250	0.1
6410038	6202109EN	6410038DC	6990109	3/8	3/4	7/16	7/8	5/8	1/8	250	0.1
6410044	6202110EN	6410044DC	6990110	7/16	7/8	1/2	1	3/4	3/16	390	0.1
6410050	6202112EN	6410050DC	6990112	1/2	7/8	1/2	1	3/4	3/16	390	0.1
6410056	6202114EN	6410056DC	6990114	9/16	1	5/8	1 1/8	7/8	3/16	585	0.1
6410063	6202115EN	6410063DC	6990115	5/8	1	5/8	1 1/8	7/8	3/16	585	0.1

Trantorque Mini – Metric

Part Number				d (mm)	D (mm)	L (mm)	L ₁ (mm)	Wrench Size		M _a † Install Torque (Nm)	Shipping Weight (kg)
Steel	Electroless Nickel Plated Steel	Thin Dense Chrome Coated Steel	Stainless Steel					A (mm)	B (mm)		
TTQM0316	TTQM0316EN	TTQM0316DC	TTQM0316SS	3	16	10	19	13	3	14	0.02
TTQM0416	TTQM0416EN	TTQM0416DC	TTQM0416SS	4	16	10	19	13	3	14	0.02
TTQM0516	TTQM0516EN	TTQM0516DC	TTQM0516SS	5	16	10	19	13	3	14	0.02
TTQM0616	TTQM0616EN	TTQM0616DC	TTQM0616SS	6	16	10	19	13	3	14	0.02
TTQM0720	TTQM0720EN	TTQM0720DC	TTQM0720SS	7	20	11	22	16	3	28	0.03
TTQM0820	TTQM0820EN	TTQM0820DC	TTQM0820SS	8	20	11	22	16	3	28	0.03
TTQM0920	TTQM0920EN	TTQM0920DC	TTQM0920SS	9	20	11	22	16	3	28	0.03
TTQM1023	TTQM1023EN	TTQM1023DC	TTQM1023SS	10	23	13	26	19	5	44	0.05
TTQM1123	TTQM1123EN	TTQM1123DC	TTQM1123SS	11	23	13	26	19	5	44	0.05
TTQM1223	TTQM1223EN	TTQM1223DC	TTQM1223SS	12	23	13	26	19	5	44	0.05
TTQM1426	TTQM1426EN	TTQM1426DC	TTQM1426SS	14	26	16	29	22	5	66	0.06
TTQM1526	TTQM1526EN	TTQM1526DC	TTQM1526SS	15	26	16	29	22	5	66	0.06
TTQM1626	TTQM1626EN	TTQM1626DC	TTQM1626SS	16	26	16	29	22	5	66	0.06

Performance Data Tables

d (inch)	M _t †	Th	P _h *
	Maximum Transmitted		Hub Pressure (psi)
	Torque (in lb)	Thrust (lbs)	
1/8	100	1608	18193
3/16	151	1608	18193
1/4	201	1608	18193
5/16	404	2584	20890
3/8	485	2584	20890
7/16	737	3368	20421
1/2	842	3368	20421
9/16	1223	4349	18459
5/8	1359	4349	18459

d (mm)	M _t †	Th	P _h *
	Maximum Transmitted		Hub Pressure (N/mm ²)
	Torque (Nm)	Thrust (kN)	
3	11	7	123
4	14	7	123
5	18	7	123
6	21	7	123
7	40	11	136
8	46	11	136
9	51	11	136
10	75	15	136
11	82	15	136
12	90	15	136
14	135	19	124
15	145	19	124
16	155	19	124

MULTIPLIERS

Steel	1.0
Electroless Nickel Plated Steel	0.8
Thin Dense Chrome Coated Steel	1.0
Stainless Steel	0.35

(continued on page 17)

Please note not all catalog items shown are stock. Some products are make-to-order (MTO) based on annual demand. Please verify with your customer service representative for current availability of the item desired.

Trantorque Mini Performance Data (continued from page 16)

The data in the Performance Data Table is for a steel unit. To obtain data for other materials, use the multiplier provided.

For example, you require a 1/4" (d) Electroless Nickel Plated Trantorque Mini.

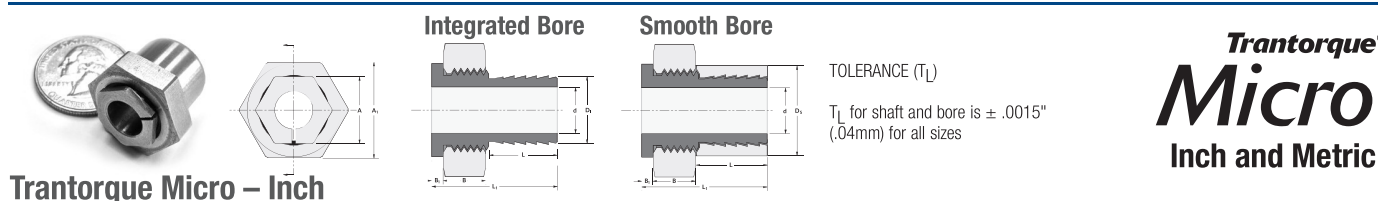
Find 1/4" (d) in Performance Data Table and use the multiplier of 0.8 for Electroless Nickel Plated Steel.

$M_t : 201 \times 0.8 = 161$
 $T_h : 1608 \times 0.8 = 1286$
 $*P_h : 18193 \times 0.8 = 14554$

*** IMPORTANT:**

After hub pressure (P_h) is determined, record D, L and Ph and refer to page 9 and 10 to calculate the minimum hub diameter.

† When installing Trantorque Mini with an open-ended wrench, a reduction in installation torque by 50% is recommended. This will result in a Transmitted Torque (M_t) reduced by 50%.



Trantorque Micro – Inch

Size	d	Integrated Bore Di	Smooth Bore Ds	L	L1	Wrench Size		B	B1	Ma	Shipping Weight	Maximum Transmitted		Smooth Bore Hub Pressure	A	A1
						A	A1					Torque	Thrust			
1/8	0.125	0.369	0.563	0.38	0.67	7/16	11/16	0.06	0.22	125	0.050	46	738	9275	0.4375	0.6875
3/16	0.188	0.369	0.613	0.38	0.67	7/16	11/16	0.06	0.22	150	0.052	83	885	10221	0.4375	0.6875
1/4	0.250	0.369	0.613	0.38	0.67	7/16	11/16	0.06	0.22	150	0.048	111	885	10221	0.4375	0.6875
5/16	0.313	0.431	0.625	0.44	0.76	1/2	3/4	0.06	0.25	150	0.057	120	771	7478	0.5	0.75
3/8	0.375	0.550	0.750	0.44	0.83	5/8	15/16	0.06	0.31	150	0.099	116	620	5008	0.625	0.9375
7/16	0.438	0.550	0.750	0.50	0.92	5/8	15/16	0.09	0.31	150	0.096	136	620	4387	0.625	0.9375
1/2	0.500	0.666	0.875	0.63	1.11	3/4	1 1/8	0.09	0.38	225	0.167	194	777	3767	0.75	1.125
9/16	0.563	0.666	0.875	0.75	1.25	3/4	1 1/8	0.11	0.38	225	0.164	218	777	3139	0.75	1.125
5/8	0.625	0.791	1.000	0.94	1.52	7/8	1 5/16	0.13	0.44	300	0.276	280	895	2533	0.875	1.3125

Trantorque Micro – Metric

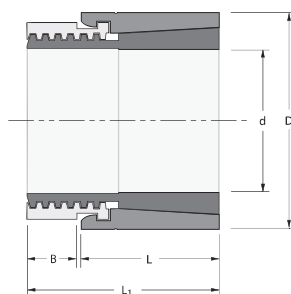
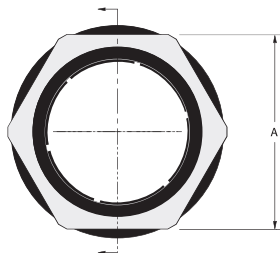
16Size	d	Integrated Bore Di	Smooth Bore Ds	L	L1	Wrench Size		B	B1	Ma	Shipping Weight	Maximum Transmitted		Smooth Bore Hub Pressure	A	A1
						A	A1					Torque	Thrust			
3	3	9.37	14.29	9.5	17.0	12.0	17.0	1.5	5.6	14	0.023	5	3.3	64	0.4375	0.6875
4	4	9.37	14.29	9.5	17.0	12.0	17.0	1.5	5.6	17	0.022	8	3.9	77	0.4375	0.6875
5	5	9.37	15.56	9.5	17.0	12.0	17.0	1.5	5.6	17	0.023	10	3.9	70	0.4375	0.6875
6	6	9.37	15.56	9.5	17.0	12.0	17.0	1.5	5.6	17	0.022	12	3.9	70	0.4375	0.6875
7	7	10.95	15.56	9.5	17.8	13.0	19.0	1.5	6.4	17	0.025	12	3.4	61	0.5	0.75
8	8	10.95	15.88	11.1	19.4	13.0	19.0	1.5	6.4	17	0.026	14	3.4	52	0.5	0.75
9	9	13.97	19.05	11.1	21.0	16.0	23.0	1.5	7.9	17	0.046	12	2.8	35	0.625	0.9375
10	10	13.97	19.05	12.7	23.4	16.0	23.0	2.4	7.9	17	0.047	14	2.8	30	0.625	0.9375
11	11	13.97	19.05	12.7	23.4	16.0	23.0	2.4	7.9	17	0.044	15	2.8	30	0.625	0.9375
12	12	13.97	19.05	12.7	23.4	16.0	23.0	2.4	7.9	17	0.041	17	3.6	40	0.625	0.9375
13	13	16.92	22.23	15.9	28.2	20.0	28.0	2.4	9.5	25	0.074	22	3.5	26	0.75	1.125
14	14	16.92	22.23	19.1	31.8	20.0	28.0	2.8	9.5	25	0.076	24	3.5	22	0.75	1.125
15	15	16.92	22.23	19.1	31.8	20.0	28.0	2.8	9.5	25	0.071	26	3.5	22	0.75	1.125
16	16	20.09	25.40	23.8	38.5	23.0	33.0	3.2	11.1	34	0.124	32	4.0	17	0.875	1.3125

* All Trantorque Micro orders are subject to a 25 piece minimum.

Please note not all catalog items shown are stock. Some products are make-to-order (MTO) based on annual demand. Please verify with your customer service representative for current availability of the item desired.

Power Transmission - Trantorque®

Trantorque®
OE
Inch



TOLERANCE (T_L)

T_L for shaft and bore is ± .003"
for all sizes

Trantorque OE – Inch

Part Number				d (inch)	D (inch)	L (inch)	L ₁ (inch)	Wrench Size	B (inch)	Ma†	Shipping Weight (lb)
Steel	Electroless Nickel Plated Steel	Thin Dense Chrome Coated Steel	Stainless Steel					A (inch)		Install Torque (ft lb)	
6410069	6410069EN	6410069DC	6410069SS	11/16	1 1/4	7/8	1 5/32	1 1/8	1/4	82	0.2
6410075	6410075EN	6410075DC	6410075SS	3/4	1 1/4	7/8	1 5/32	1 1/8	1/4	82	0.2
6410081	6410081EN	6410081DC	6410081SS	13/16	1 3/8	15/16	1 1/4	1 1/4	1/4	111	0.2
6410088	6410088EN	6410088DC	6410088SS	7/8	1 3/8	15/16	1 1/4	1 1/4	1/4	111	0.2
6410094	6410094EN	6410094DC	6410094SS	15/16	1 1/2	1	1 11/32	1 3/8	5/16	137	0.4
6410100	6410100EN	6410100DC	6410100SS	1	1 1/2	1	1 11/32	1 3/8	5/16	137	0.3
6410106	6410106EN	6410106DC	6410106SS	1 1/16	1 5/8	1 1/16	1 15/32	1 1/2	3/8	155	0.4
6410113	6410113EN	6410113DC	6410113SS	1 1/8	1 5/8	1 1/16	1 15/32	1 1/2	3/8	155	0.4
6410119	6410119EN	6410119DC	6410119SS	1 3/16	1 3/4	1 1/8	1 19/32	1 5/8	7/16	177	0.5
6410125	6410125EN	6410125DC	6410125SS	1 1/4	1 3/4	1 1/8	1 19/32	1 5/8	7/16	177	0.5
6410131	6410131EN	6410131DC	6410131SS	1 5/16	1 7/8	1 3/16	1 11/16	1 3/4	1/2	196	0.6
6410138	6410138EN	6410138DC	6410138SS	1 3/8	1 7/8	1 3/16	1 11/16	1 3/4	1/2	196	0.6
6410144	6410144EN	6410144DC	6410144SS	1 7/16	2	1 1/4	1 25/32	1 7/8	1/2	196	0.7
6410150	6410150EN	6410150DC	6410150SS	1 1/2	2	1 1/4	1 25/32	1 7/8	1/2	196	0.6

Performance Data Table

d (inch)	M _t †	T _h	P _h *
	Maximum Transmitted		Hub Pressure (psi)
	Torque (ft lb)	Thrust (lbs)	
11/16	166	5805	20843
3/4	181	5805	20843
13/16	241	7113	21014
7/8	259	7113	21014
15/16	311	7963	19639
1	332	7963	19639
1 1/16	364	8224	17211
1 1/8	386	8224	17211
1 3/16	431	8712	15664
1 1/4	454	8712	15664
1 5/16	489	8938	14004
1 3/8	512	8938	14004
1 7/16	500	8336	11469
1 1/2	512	8336	11469

MULTIPLIERS

Steel	1.0
Electroless Nickel Plated Steel	0.6
Thin Dense Chrome Coated Steel	0.9
Stainless Steel	0.3

The data in the Performance Data Table is for a steel unit. To obtain data for other materials, use the multiplier provided.

For example, you require a 1" (d) Electroless Nickel Plated Trantorque OE.

Find 1" (d) in Performance Data Table and use the multiplier of 0.6 for Electroless Nickel Plated Steel.

$$M_t : 332 \times 0.6 = 199$$

$$T_h : 7963 \times 0.6 = 4778$$

$$*P_h : 19639 \times 0.6 = 11783$$

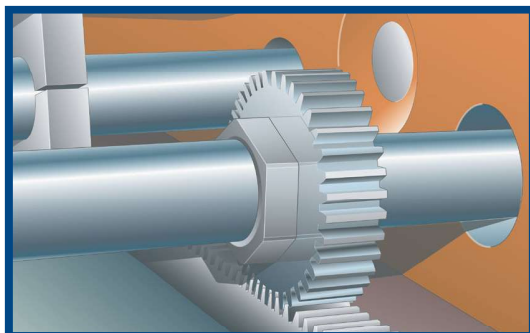
*IMPORTANT:

After hub pressure (P_h) is determined, record D, L and P_h and refer to page 9 and 10 to calculate the minimum hub diameter.

† When installing Trantorque OE with an open-ended wrench, a reduction in installation torque by 50% is recommended. This will result in a Transmitted Torque (Mt) reduced by 50%.

Please note not all catalog items shown are stock. Some products are make-to-order (MTO) based on annual demand. Please verify with your customer service representative for current availability of the item desired.

Trantorque®
OE
 Metric

TOLERANCE (T_L)T_L for shaft and bore is ± .08mm for all sizes

Trantorque OE – Metric

Part Number				d (mm)	D (mm)	L (mm)	L ₁ (mm)	Wrench Size	B (mm)	M _t †	Shipping Weight (kg)
Steel	Electroless Nickel Plated Steel	Thin Dense Chrome Coated Steel	Stainless Steel					A (mm)		Install Torque (Nm)	
TTQM1732	TTQM1732EN	TTQM1732DC	TTQM1732SS	17	32	22	29	30	6	110	0.1
TTQM1832	TTQM1832EN	TTQM1832DC	TTQM1832SS	18	32	22	29	30	6	110	0.1
TTQM1932	TTQM1932EN	TTQM1932DC	TTQM1932SS	19	32	22	29	30	6	110	0.1
TTQM2035	TTQM2035EN	TTQM2035DC	TTQM2035SS	20	35	24	32	32	7	150	0.1
TTQM2235	TTQM2235EN	TTQM2235DC	TTQM2235SS	22	35	24	32	32	7	150	0.1
TTQM2438	TTQM2438EN	TTQM2438DC	TTQM2438SS	24	38	25	34	36	7	185	0.2
TTQM2538	TTQM2538EN	TTQM2538DC	TTQM2538SS	25	38	25	34	36	7	185	0.2
TTQM2845	TTQM2845EN	TTQM2845DC	TTQM2845SS	28	45	29	41	46	11	240	0.3
TTQM3045	TTQM3045EN	TTQM3045DC	TTQM3045SS	30	45	29	41	46	11	240	0.3
TTQM3250	TTQM3250EN	TTQM3250DC	TTQM3250SS	32	50	30	43	50	11	265	0.4
TTQM3550	TTQM3550EN	TTQM3550DC	TTQM3550SS	35	50	30	43	50	11	265	0.3

Performance Data Table

d (mm)	M _t †	Th	P _h *
	Maximum Transmitted		Hub Pressure (N/mm ²)
	Torque (Nm)	Thrust (kN)	
17	218	26	142
18	231	26	142
19	244	26	142
20	315	32	144
22	347	32	144
24	425	35	136
25	443	35	136
28	539	38	106
30	577	38	106
32	618	39	84
35	676	39	84

MULTIPLIERS

Steel	1.0
Electroless Nickel Plated Steel	0.6
Thin Dense Chrome Coated Steel	0.9
Stainless Steel	0.3

The data in the Performance Data Table is for a steel unit. To obtain data for other materials, use the multiplier provided.

For example, you require a 20mm (d) Electroless Nickel Plated Trantorque OE.

Find 20mm (d) in Performance Data Table and use the multiplier of 0.6 for Electroless Nickel Plated Steel.

$$M_t : 315 \times 0.6 = 189$$

$$T_h : 32 \times 0.6 = 19$$

$$*P_h : 144 \times 0.6 = 86$$

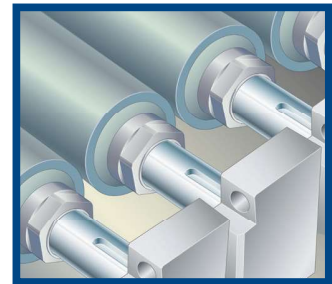
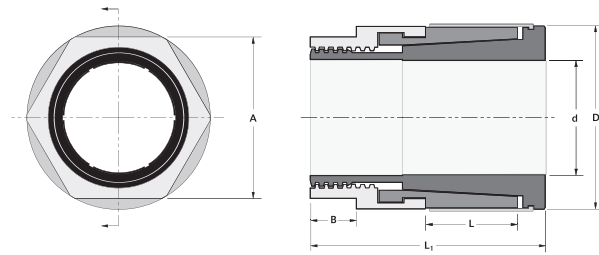
*IMPORTANT:

After hub pressure (P_h) is determined, record D, L and P_h and refer to page 9 and 10 to calculate the minimum hub diameter.

† When installing Trantorque OE with an open-ended wrench, a reduction in installation torque by 50% is recommended. This will result in a Transmitted Torque (M_t) reduced by 50%.

Please note not all catalog items shown are stock. Some products are make-to-order (MTO) based on annual demand. Please verify with your customer service representative for current availability of the item desired.

Trantorque®
NT
Inch



TOLERANCE (T_L)

T_L for shaft and bore is .0015" for Part Numbers 6980103UP – 6980119UP

T_L for shaft and bore is .003" for all other Trantorque NT

Trantorque NT – Inch

Part Number	d (inch)	D (inch)	L (inch)	L ₁ (inch)	Wrench Size		M _a	M _t	Th	P _H *	
					A (inch)	B (inch)					
Steel								Install Torque (in lb)	Maximum Transmitted		Hub Pressure (psi)
									Torque (ft lb)	Thrust (lbs)	
6980103UP	3/16	5/8	3/8	1 1/16	1/2	1/8	125	7	876	9918	
6980105UP	1/4	5/8	3/8	1 1/16	1/2	1/8	125	9	876	9918	
6980107UP	5/16	3/4	7/16	1 3/16	5/8	1/8	150	11	845	6833	
6980109UP	3/8	3/4	7/16	1 3/16	5/8	1/8	150	13	845	6833	
6980110UP	7/16	7/8	1/2	1 5/16	3/4	3/16	175	15	824	4995	
6980112UP	1/2	7/8	1/2	1 5/16	3/4	3/16	175	17	824	4995	
6980114UP	9/16	1	5/8	1 7/16	7/8	3/16	200	19	811	3440	
6980115UP	5/8	1	5/8	1 7/16	7/8	3/16	200	21	811	3440	
6980119UP	3/4	1 1/4	3/4	1 11/16	1 1/16	1/4	700	73	2326	6581	
6980120UP	5/8	1 1/2	11/16	1 13/16	1 1/4	5/16	1200	91	3484	8960	
6980140UP	11/16	1 1/2	11/16	1 13/16	1 1/4	5/16	1200	100	3484	8960	
6980160UP	3/4	1 1/2	11/16	1 13/16	1 1/4	5/16	1200	109	3484	8960	
6980190UP	13/16	1 3/4	13/16	2 3/16	1 1/2	7/16	1500	122	3594	6704	
6980200UP	7/8	1 3/4	13/16	2 3/16	1 1/2	7/16	1500	131	3594	6704	
6980220UP	15/16	1 3/4	13/16	2 3/16	1 1/2	7/16	1500	140	3594	6704	
6980240UP	1	1 3/4	13/16	2 3/16	1 1/2	7/16	1500	150	3594	6704	
6980270UP	1 1/16	2	15/16	2 9/16	1 3/4	1/2	2000	183	4137	5853	
6980280UP	1 1/8	2	15/16	2 9/16	1 3/4	1/2	2000	194	4137	5853	
6980300UP	1 3/16	2	15/16	2 9/16	1 3/4	1/2	2000	205	4137	5853	
6980320UP	1 1/4	2	15/16	2 9/16	1 3/4	1/2	2000	215	4137	5853	
6980350UP	1 5/16	2 3/8	1 7/16	3 3/32	2	9/16	2300	225	4113	3196	
6980360UP	1 3/8	2 3/8	1 7/16	3 3/32	2	9/16	2300	236	4113	3196	
6980380UP	1 7/16	2 3/8	1 7/16	3 3/32	2	9/16	2300	246	4113	3196	
6980400UP	1 1/2	2 3/8	1 7/16	3 3/32	2	9/16	2300	257	4113	3196	
6980430UP	1 9/16	2 5/8	1 5/8	3 15/32	2 1/4	9/16	2800	291	4466	2777	
6980440UP	1 5/8	2 5/8	1 5/8	3 15/32	2 1/4	9/16	2800	302	4466	2777	
6980460UP	1 11/16	2 5/8	1 5/8	3 15/32	2 1/4	9/16	2800	314	4466	2777	
6980480UP	1 3/4	2 5/8	1 5/8	3 15/32	2 1/4	9/16	2800	326	4466	2777	
6980510UP	1 13/16	2 7/8	1 15/16	4 3/64	2 1/2	5/8	4900	531	7029	3347	
6980520UP	1 7/8	2 7/8	1 15/16	4 3/64	2 1/2	5/8	4900	549	7029	3347	
6980540UP	1 15/16	2 7/8	1 15/16	4 3/64	2 1/2	5/8	4900	567	7029	3347	
6980560UP	2	2 7/8	1 15/16	4 3/64	2 1/2	5/8	4900	586	7029	3347	

*IMPORTANT: Please refer to page 9 and 10 to calculate your minimum hub diameter.

Consult factory for weights and availability.

Please note not all catalog items shown are stock. Some products are make-to-order (MTO) based on annual demand. Please verify with your customer service representative for current availability of the item desired.